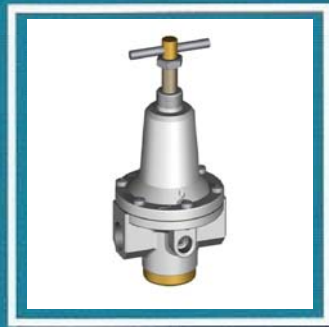
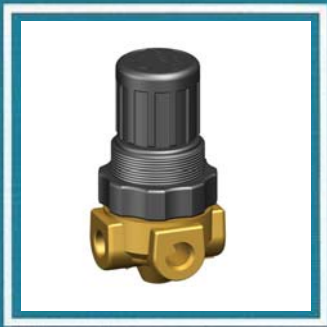
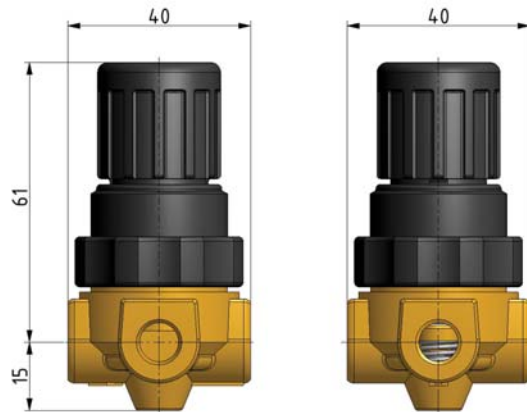
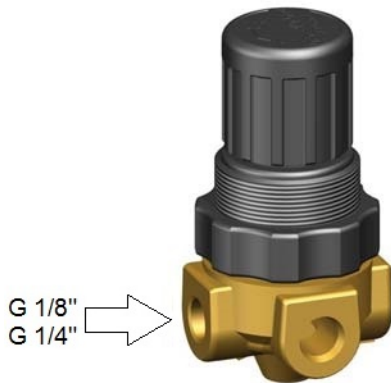


# CATALOGO

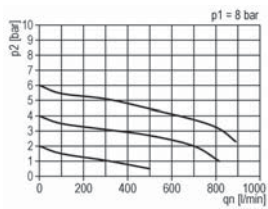
## Pressure regulator for oxygen



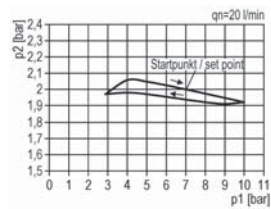
## Pressure regulator for oxygen | BGO 1/8" - 1/4"



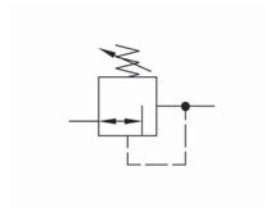
### flow characteristic



### pressure characteristic



### symbol



### technical data

- **description:** air line regulator with diaphragm without relieving feature
- **medium:** compressed air, medical oxygen, NO<sub>2</sub> (nitrous oxide)
- **supply pressure P1 max.:** 14 bar
- **temperature range:** 0 - 50°C

### accessories



control panel mounting:  
[WH.M.30/DR.00-34](#)

### type

DR.00 mO

### part-number

9.1600.00.002

### description

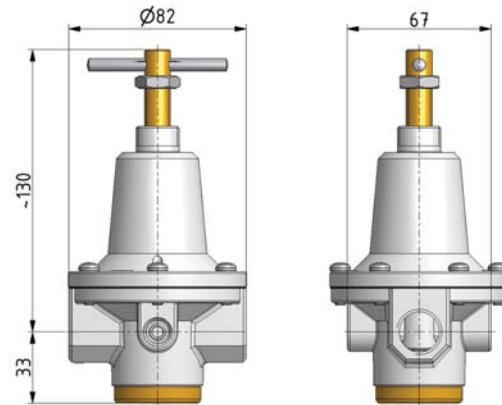
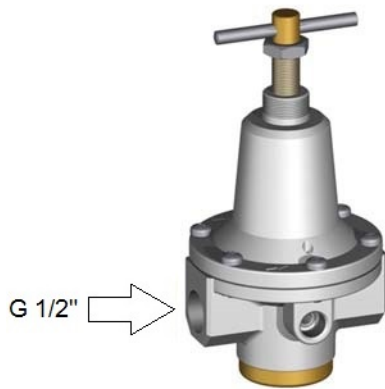
Pressure regulator G1/8 0,5-10 for medical oxygen

DR.01 mO

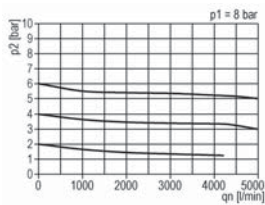
9.1601.00.016

Pressure regulator G1/4 0,5-10 for medical oxygen

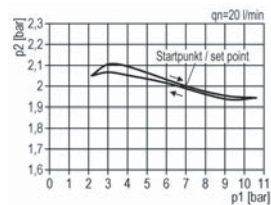
## Pressure regulator for oxygen | BG3 1/2"



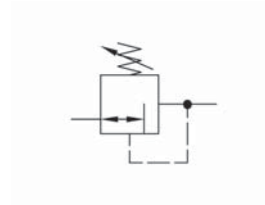
### flow characteristic



### pressure characteristic



### symbol



### technical data

- **description:** air line regulator with diaphragm without relieving feature
- **medium:** compressed air, oxygen, non corrosive gases
- **supply pressure P1 max.:** 14 bar
- **temperature range:** 0 - 50°C

### accessories



mounting bracket: [BW.30](#)

control panel mounting: nut  
DR.11-7

### type

DR.33 O

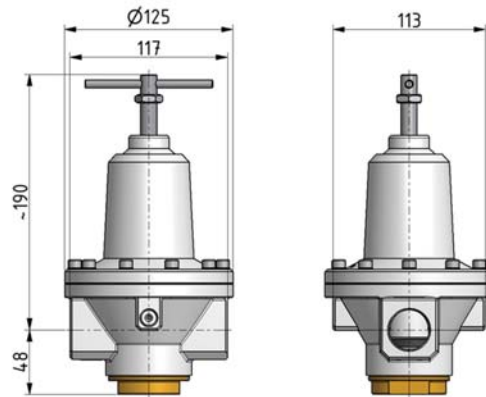
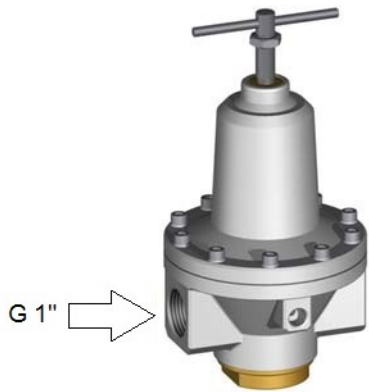
### part-number

9.1633.00.002

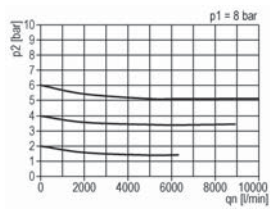
### description

Pressure regulator G1/2 0,5-10 for oxygen, free from grease and oil

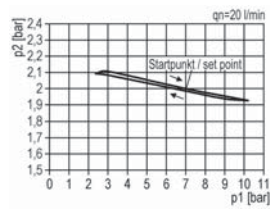
## Pressure regulator for oxygen | BG5 1"



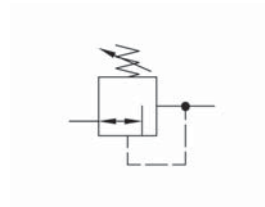
### flow characteristic



### pressure characteristic



### symbol



### technical data

- **description:** air line regulator with diaphragm without relieving feature
- **medium:** compressed air, oxygen, non corrosive gases
- **supply pressure P1 max.:** 14 bar
- **temperature range:** 0 - 50°C

### accessories



mounting bracket: [BW.50](#)

### type

DR.55 O

### part-number

9.1655.00.001.0

### description

Pressure regulator G1 0,5-10 for oxygen